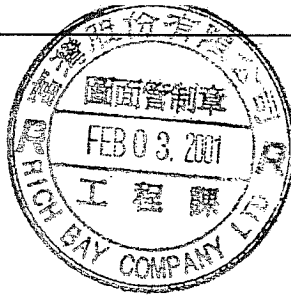
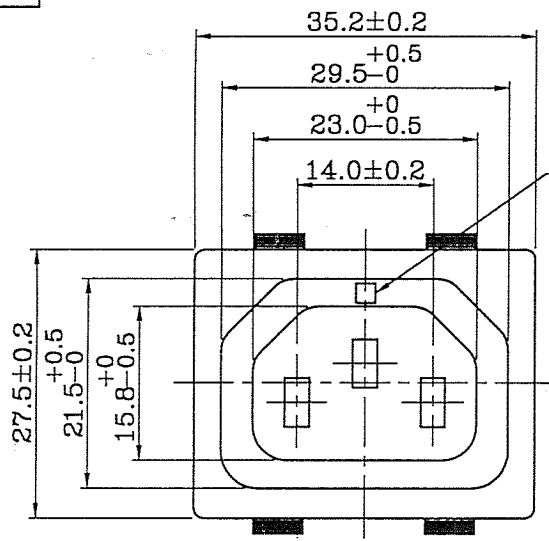


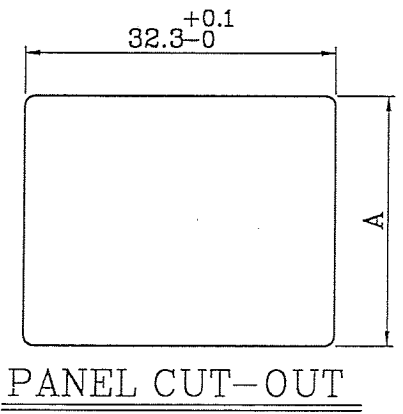
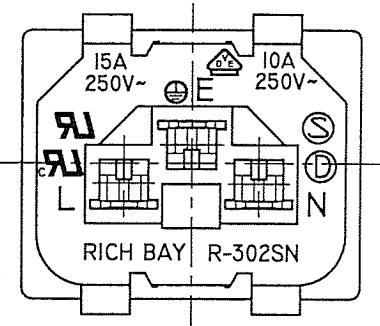
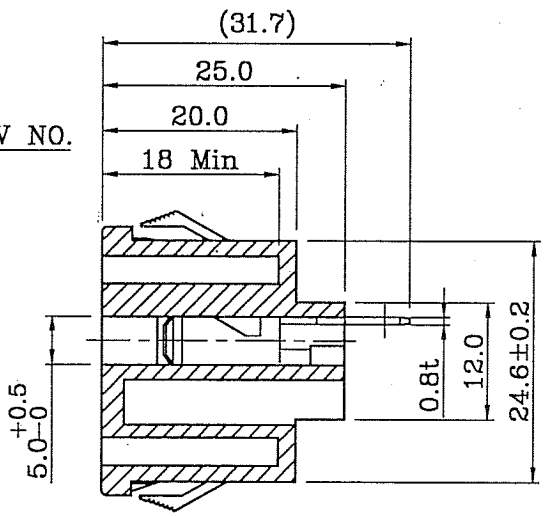
E



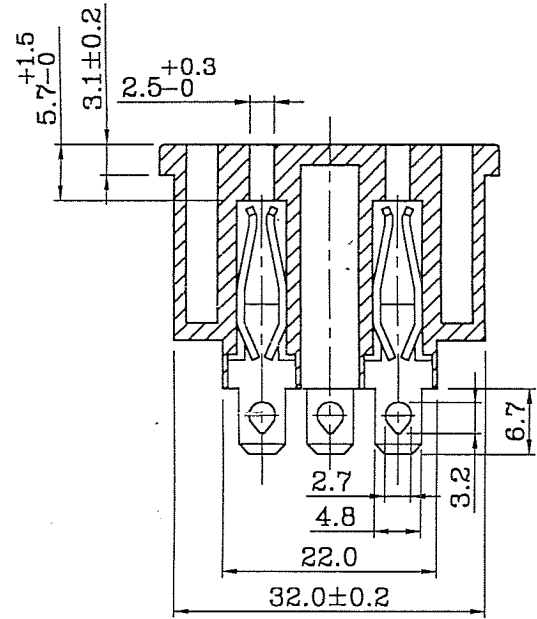
項次	版次	日期	舊有尺寸	日期	新修尺寸
1	A→B	870420	Φ	870722	⊙
2	B→C	870722	ADD	880131	三角肋
3	C→D	880131	ADD	890309	110
4	D→E	890309	5.7	900202	5.7±0.5
5					



CAV NO.



PANEL CUT-OUT



	R-302SN (00)	R-302SN (05)	R-302SN (06)	R-302SN (07)
	4.8	2.8	4.0	6.4
	6.7	5.5	5.5	8.1

THICKNESS	A
0.8t ~ 1.0t	25.4
1.0t ~ 1.2t	25.5
1.2t ~ 1.5t	25.6
2t	25.7
3t	25.7

SPECIFICATION:

- Rating: 10A, 250V, AC.
15A, 250V, AC.
- Insulation Resistance: Over 100M at 500V DC.
- Dielectric Strength: 2000V AC 1 Minute.
- Body Material: Black Glass-Filled Thermoplastic UL 94V-1.

出圖用

DRAWING C:\DG\R\R-302SN\SN00.DWG

IMPORTANT THIS DRAWING FOR REFERENCE ONLY 注意: 此圖只供參考用



富灣股份有限公司
RICH BAY COMPANY LTD.
台北縣樹林市東興街57號
NO. 57, Tung Hsing St., Shu-Lin Town,
Taipci Hsien, Taiwan, R. O. C.
TEL: 886-2-86867781-4
FAX: 886-2-86867780
E-mail: richbay@MS22.hinet.net

UNIT: mm	UNIT Q'TY: 1	SCALE: 1/1	TOLERANCE: X.XX±0.1, XX.XX±0.2, XXX.XX±0.3	DESCRIPTION (E): #1,2,3,4 號模
DRAWN BY: 林政華	CHECKED BY: [Signature]	APPROVED BY: [Signature]	MATERIAL:	DESCRIPTION (C):
			FINISH:	PART NO: R-302SN
				PRINT NO: 01020201Q
				00