



MST 3 schwarz/black

Industrial Connectors:Measuring and Testing Equipment:Plugs:2 mm system

Product description

Description 2 mm diameter miniature connector, nickel-plated brass pin with solder connection. Flexible, shatter-proof insulated sleeve. For making up connecting leads with a maximum external diameter of 1.9 mm.

Type MST 3 schwarz/black

Order No. 973 509-100

System 2 mm system

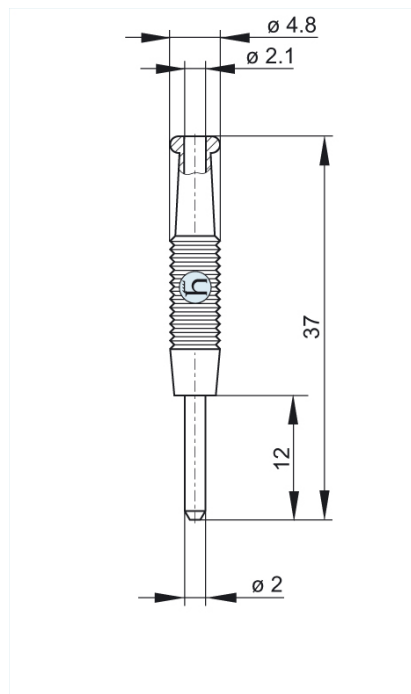
Housing Color black



Other standard types

red color,
order no. 973 509-101;
blue color,
order no. 973 509-102;
yellow color,
order no. 973 509-103;
green color,
order no. 973 509-104;
grey color,
order no. 973 509-106

Drawing



Technical data

Pin dimensions	2 mm
Type of contact	pin
Type of termination	solder
Rated voltage	DC 60 V
Rated current	6 A
Contact resistance	6 mOhm
Material	
Contact material	brass
Contact surface material	nickel-plated
Housing material	PVC-P
Environmental conditions	
Temperature range	-25 °C to +60 °C
Inflammability class	
Housing	94 V-2