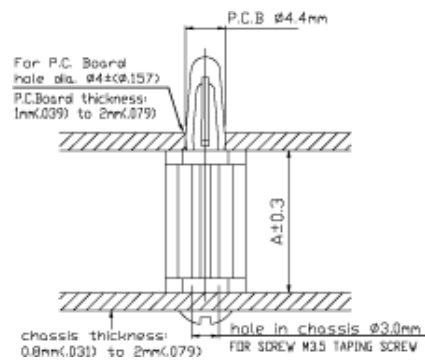


PCB Screw Fastened PCB Supports



- Material : UL Approved Nylon6/6, 94V-2
- Support with minimum chassis protrusion serves for limited space or slim line applications.
- Head locks in boards, can be released by hand.
- Screw locks support, steady and firm.



Part No.	Spacing Height "A" $\pm 0.3\text{mm}$ (inch)	Package
CBS-6S	6.5(.256)	100/1000
CBS-9S	9.6(.378)	100/1000
CBS-13S	12.9(.508)	100/1000
CBS-16S	16.0(.630)	100/1000
CBS-19S	19.3(.760)	100/1000
CBS-22S	22.4(.882)	100/1000
CBS-25S	25.5(1.004)	100/1000
CBS-29S	29.0(1.142)	100/1000

Unit: mm