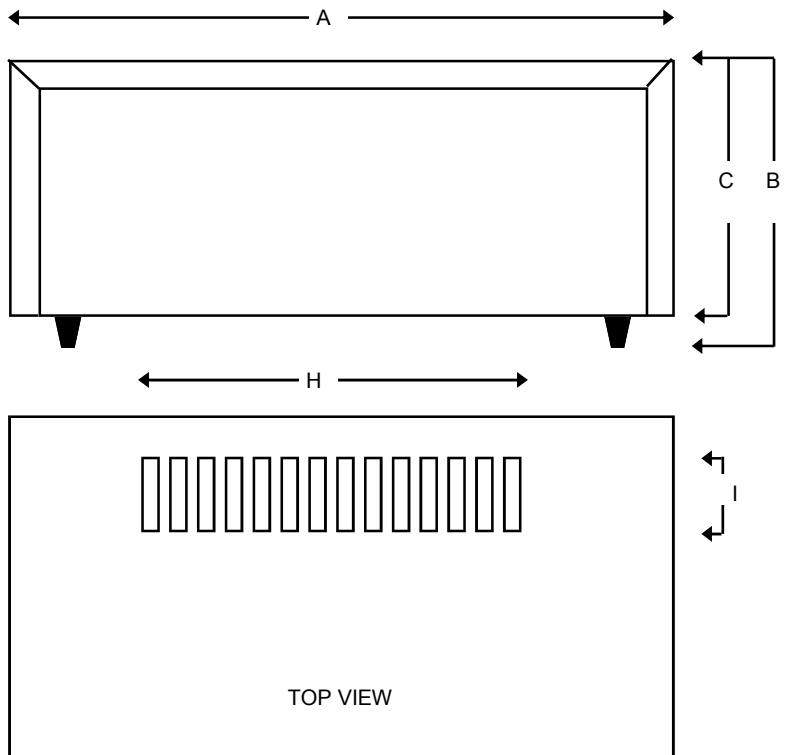
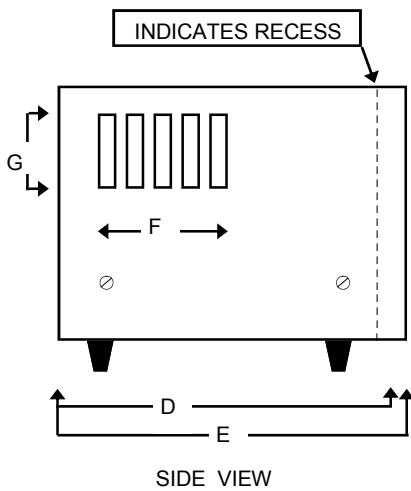




C SERIES INSTRUMENT CASES

The **C1063**, **C1066**, **C1284** and **C1286** Instrument cases are constructed with an aluminium base with a satin finished front panel.

The top cover is steel with a hammer tone black finish and is formed to recess the front panel. These models also feature a series of slotted vents in the top and end panels. Bolt on plastic feet are supplied. Nuts and bolts included.



Model	A	B	C	D	E	F	G	H	I
C1063	255mm	92mm	77mm	150mm	155mm	60mm	35mm	186mm	35mm
C1066	255mm	165mm	150mm	150mm	155mm	60mm	35mm	186mm	35mm
C1284	305mm	105mm	90mm	195mm	200mm	60mm	35mm	250mm	35mm
C1286	305mm	165mm	150mm	195mm	200mm	60mm	35mm	250mm	35mm

K&W Electronic Products

Unit 4, Cnr. Ring Road & Western Hwy, Ballarat 3350, Victoria, Australia

PO BOX 4043, ALFREDTON,
BALLARAT, 3350, VICTORIA, AUSTRALIA

Phone: 03 5334 3329 Fax: 03 5334 1845

www.kandw.com.au