



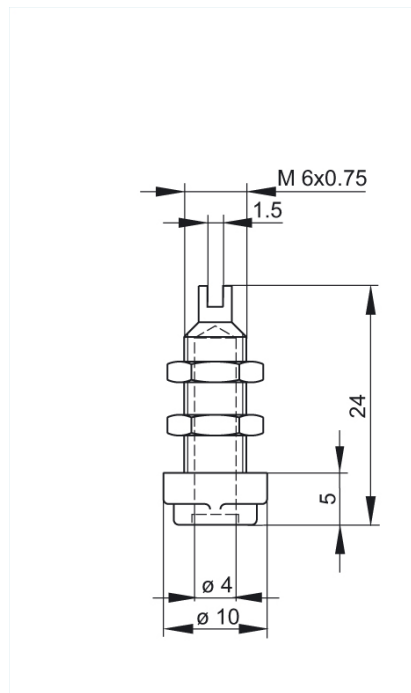
BUG 10 schwarz/black

Industrial Connectors:Measuring and Testing Equipment:Sockets:4 mm system

Product description

Description	Socket with oval insulated head, 4 mm diameter tin-plated brass socket, with solder connection.
Type	BUG 10 schwarz/black
Order No.	930 175-100
System	4 mm system
Housing Color	black
Other standard types	red color, order no. 930 175-101; blue color, order no. 930 175-102; yellow color, order no. 930 175-103; green color, order no. 930 175-104; white color, order no. 930 175-107

Drawing



Technical data

Type of contact	socket
Type of termination	solder
Rated voltage	DC 60 V
Rated current	16 A
Contact resistance	5 mOhm
Mounting	screw
Material	
Contact material	brass
Contact surface material	tin-plated
Housing material	PF
Environmental conditions	
Temperature range	-25 °C to +85 °C
Inflammability class	
Housing	94 V-0